



SUNON®

Natural,  
Comfort Experience

BLDC

**HVLS Fan**

\*All products are RoHS compliant.



**HamiltonAir**  
luxury lifestyle living



Easy Install | Light Weight | IP 55



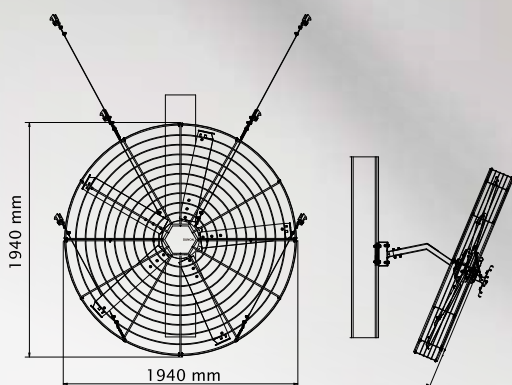
**BLDC Motor**  
BLDC Motor technology  
energy-saving but Powerful



**Universal Voltage**  
100 V~ 240 V



**2 Way Installation**  
Ceiling / Wall-mount



Specification		
Dimension (W x H x D)	1940 x 1940 x 1265 mm	
Power Source	100-240 VAC, 1Φ, 50/60Hz	
Weight	90 Kg	
Speed (Max)	285 RPM	230RPM
Power Consumption (Max)	523 W	280 W
Noise	<50 dB(A)	<43 dB(A)
Rated Current (Max)	5.13 A	2.8 A
IP Rating	IP55	
Control	Knob/BMS(MODBUS)/RF Controller/ AIoT/Touch Panel	
Installation	Ceiling / Wall-mount	

\*RF Controller: 230 RPM dedicated

\*Environment -This product is not suitable for salt air environments.

\*Weight: fan unit only, the mount and the extension tube are not included.

※ The above specifications are test from SUNON Lab and the data will be affected by different environmental conditions.

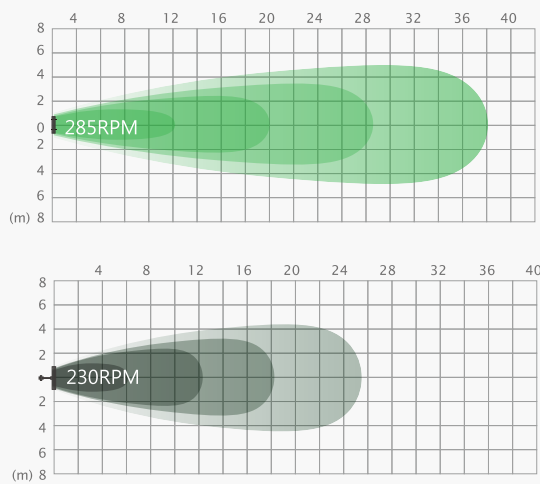
※ Specifications are subject to change without notice. Final spec. please visit SUNON website at [www.sunon.com](http://www.sunon.com).

# WALL HVLS FAN

## Industrial Wall-Mount Fan

SUNON pivot fan is designed for crowded floor 、 low ceiling of the work area. Easy to install by multiple installation method in order to achieve better ventilation and boost people's comfort .

SUNON is your best choice of ventilation . Sunon BLDC motor to save energy with powerful airflow and quiet sound.



Air reaches 36 meters away  
(1/3 length of football field)



### ► Facility Type

Warehouse, Factory, Dairy farm, Traditional market, Exhibition hall, School

# SUNON®

Headquarters  
Sunonwealth Electric Machine Industry Co., Ltd.  
TEL : +886-7-8135888  
E-mail : sunon@sunon.com



**Hamilton Air**  
Luxury Lifestyle Living



## HAMILTON AIR TECHNOLOGY JSC.,

Office & Showroom: 304-306 Truong Van Bang, Thanh My Loi  
Thu Duc City, Ho Chi Minh  
Email: sale@hogiaphat.vn Mobile: +84913123860



# AUTHORIZED DISTRIBUTOR

2023/06/20(075-W)

© 2023 SUNONWEALTH Electric Machine Industry Co., Ltd.